





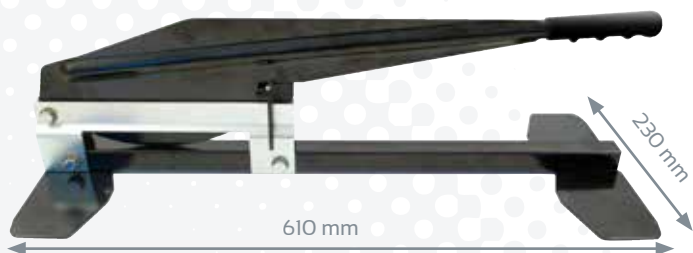
FLOORING TOOLS

089755

LAMINOCUT 2

Laminate, MDF, vinyl flooring cutting guillotine

«The Original»



- +** Neat cut without damaging the melamine surface.
- No breathable dust.
- No noise.
- No sharpening required ever on blade.
- 3 possible cutting widths :
 - Straight cut.
 - Angle cut from 0° to 90°.
 - Cuts in length.
- Cuts up to 12 mm (0.472") thickness.
- Protective felt pads.



389755
POS DISPLAY LAMINOCUT



Gencod : 3476063897555 63700 g

Gencod : 3476060008978 3460 g

089055

STRATICUT 230

Professional laminate flooring guillotine

«The Original»



- +** Neat cut without any effort.
- No sharpening required ever on blade.
- No breathable dust.
- No noise.
- Removable stopper to make angle cuts, cuts in length and wider than 230 mm planks.
- Maximum width with stopper : 230 mm (overall).
- Cutting capacity : 12 mm (0.472") thickness and up to class 33 wooden floors for very heavy traffic in commercial area (according to European regulation EN 685).
- Accessories :
 - 1 trestle.
 - 1 dust collector.



389055
POS DISPLAY STRATICUT

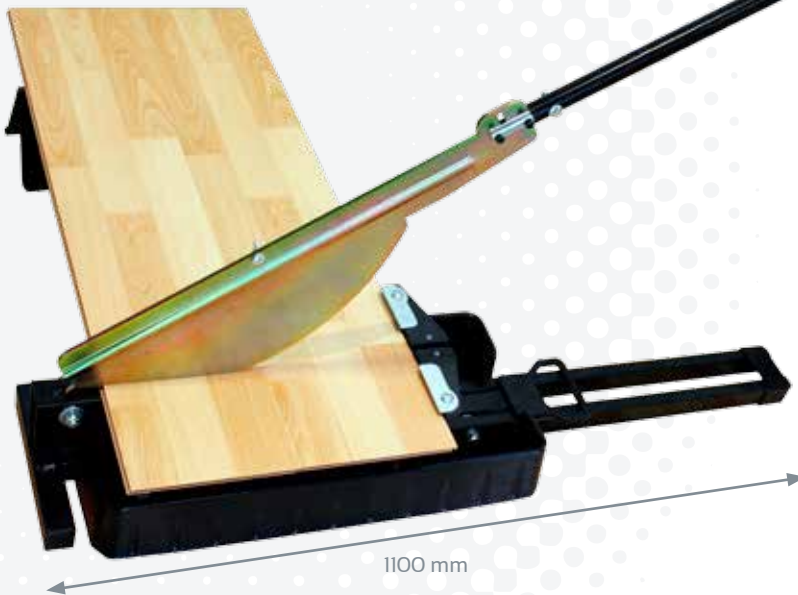


Gencod : 3476063890556 61000 g

Gencod : 3476060008909 8030 g

PATENTED


- ✚ • Neat cut without any effort.
- No sharpening required ever on blade.
- No breathable dust.
- No noise.
- Removable stopper to make angle cuts, cuts in length and wider than 400 mm planks.
- Maximum width with stopper (overall) : 230 mm, 320 mm and 400 mm.
- Cutting capacity : 15 mm (0.590") thickness and up to class 33 wooden floors for very heavy traffic in commercial area (according to European regulation EN 685).
- Accessories :
 - 1 trestle.
 - 1 dust collector.



• Cuts in wide



• Cuts in angle



• Cuts in length



• Removable stopper

O87055**SET TAK-TIK****A complete set for installing laminate flooring**

- +** • A must for laying laminate and MDF floorings.
- The set includes :
 - 1 pulling bar (metal frame) : used to move the boards lengthwise to remove gaps when adjusting flooring boards.
 - 1 wood knocking block (wooden frame) : a protection block when fitting and adjusting tongue-and-groove wood flooring boards.
 - 20 spacer blocks : they keep the flooring square with the wall to allow the parquet flooring to have a good position.

O87355

SET OF 40 SPACER BLOCKS
For laminate and wood flooring installation



Gencod : 3476060008732 120 g



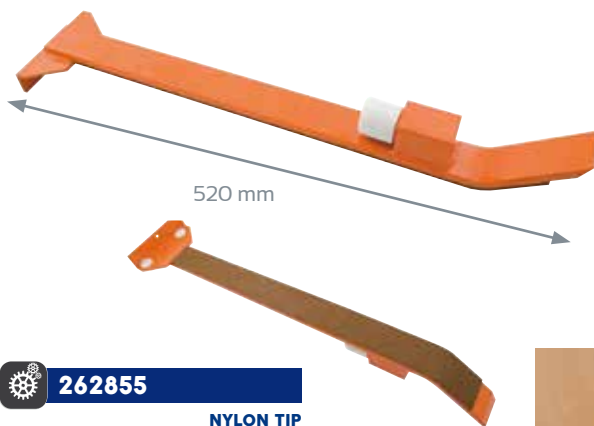
Gencod : 3476060008701 435 g

O87155**MINI TAK-TIK****Basic pulling bar for laminate flooring installation (click-together design)**

- +** • Used to move the boards lengthwise to remove gaps when adjusting flooring boards.



Gencod : 3476060008718 550 g

O87255**SUPER TAK-TIK****Professional pulling bar for laminate flooring installation (click-together design)**

- +** • Heavy-duty.
- Nylon hammer block for all metal hammers or mallets.
- With crowbar system.
- Wide head for greater pulling surface.
- Soft-touch material covers the base of the pulling bar to protect the laminate flooring.
- Replaceable nylon block.

262855**NYLON TIP**

Gencod : 3476060026286 50 g



Gencod : 3476060008725 2030 g

O88255

DUPLIC FORM

250 mm contour gauge



- Used for matching contours to be cut.
- For plumbing pipes as well as mouldings and so on.
- The tracing must be done on the back side of the plank.
- Width : 250 mm.
- Depth : 45 mm.

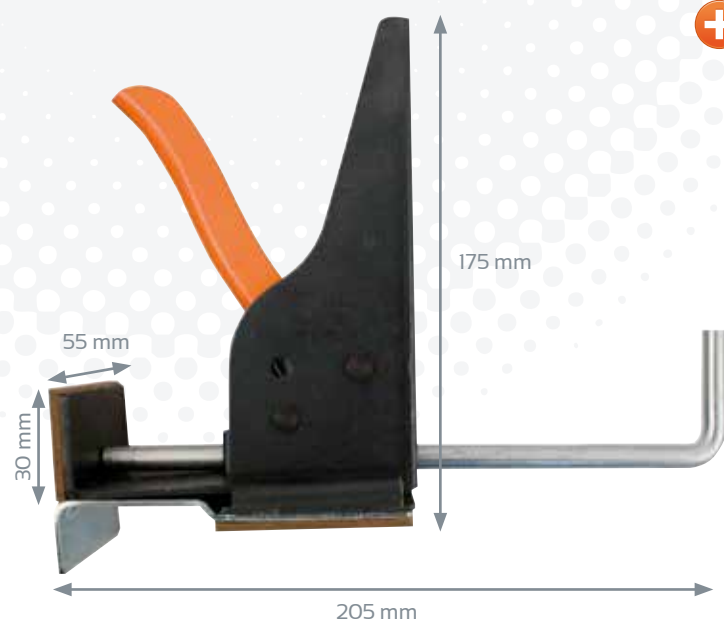


Gencod : 3476060008824 475 g

O88055

KIK BACK

Set of 2 floor panelling power presses



- Regular pressure : 250 kg.
- Ensures optimal alignment and installation of wooden flooring.
- Holds the planks tightly together while the glue dries.
- Also allows the laying of last board.
- Ratchet : 54 steps of 1.5 mm.
- Max. opening : 67 mm, protective pads included.



Gencod : 3476060008800 1340 g

O88355

ADJUSTABLE SPACER FOR LAMINATE FLOORING



- Set of 4 adjustable spacers.
- Allow to make an accurate joint between the wall and the flooring.
- Adjustable from 5 to 20 mm according to wall flatness.
- Simply turn the red button to adjust the spacer.
- To avoid damaging the wall and the flooring.
- Made in PA plastic, very light and strong.



Gencod : 3476060008831 222 g



O85055**CAMELEON 130****Mitre guillotine with an interchangeable 130 mm stainless steel blade**

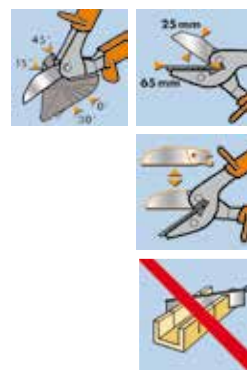
- Neat cut, no dust : wooden skirting boards, parquet flooring boards, panelling, battens, door frame mouldings, etc.
- Excellent cutting quality up to 28 mm (height) and 130 mm (length) with a range of angles from 45 to 90°.
- Long handle for a fast and easy cut.
- Ideal for cutting european woods (oak, beech...), american woods (cherry, southern yellow pine...), northern pine, PVC panelling, MDF panelling.



Gencod : 3476060008503 3480 g

O71055**MULTI-COUP' EXTRA****Mitre shears with variable angle cuts**

- Neat and effortless cut !
- Opening allows easy cutting of :
- Decorative moulding, wood skirting boards, rubber seals, PVC sections.

**O71155****65 MM BLADE FOR MULTI-COUP' EXTRA**

Gencod : 3476060007117 30 g



Gencod : 3476060007100 390 g

O97055**TECHNOCLEAN 40****Hand scraper**

- 2 replaceable hardened double steel blades, that can be turned around; up to 4 times more scraping capacity with only one set of blades.
- Handle with ergonomic and non-slip design.
- Ideal for the removal of glue down carpet, linoleum, wallpaper, adhesive remnants, swaging of tubes made from different materials.

O97155**TECHNOCLEAN 60****O97255****TECHNOCLEAN 80**

Gencod : 3476060009715 170 g



Gencod : 3476060009722 206 g



Gencod : 3476060009708 130 g

**SPARE BLADES ON P.137****O86655****RENOV'JOINT****Wood strip flooring joint claw**

- Cleans wood strip joints before varnishing. (blade thickness : 1,5 mm)
- With opener.



Gencod : 3476060008664 78 g

O87755 200 MM HEAVY DUTY FLOORING SCRAPER Ideal for the removal of carpet, or paint, etc...



- With welded tube of steel.
- Special for refurbishment covering of floors and sealings.
- Perfect to remove carpets, vinyl, linoleum, residues of glue, etc.
- Length of blade : 200 mm.

Gencod : 3476060008770 2365 g

O86455 REVOCUT Treshold strip guillotine

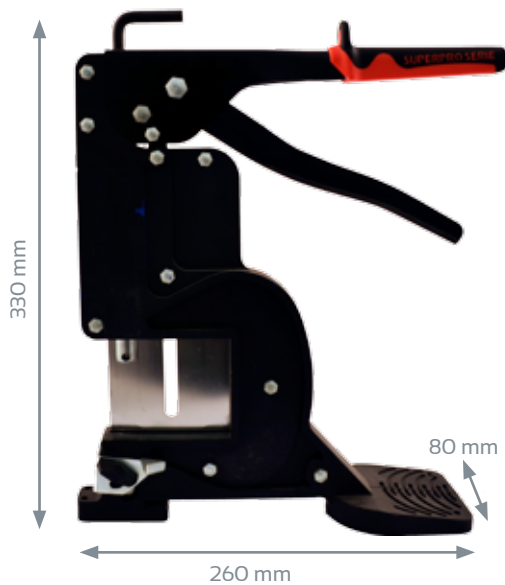


- Neat cut without any effort !
- Specially 1/2 curved.
 - Stainless steel : 50 mm x 1 mm.
 - Brass : 50 mm x 1.2 mm.
 - Aluminium : 50 mm x 1.7 mm.

Gencod : 3476060008640 3630 g



O79055 JUMBO CUT Guillotine for cutting PVC gutters max. 65 x 65 mm



- Neat cut without risk of break nor explosion of the material.
- Effortless cut thanks to its ratchet system.
- No noise, no dust.
- Replaceable blade.
- Plastic box included.



O79155 STAINLESS STEEL BLADE FOR JUMBO CUT
Stainless steel.




Gencod : 3476060007919 160 g

Gencod : 3476060007902 3380 g

161055

PRESS PLAC PRO Vertical support for PE-HD board

- + Minimum working required space for cutting , drilling or planing.
- Holding height : 32 cm.
- Lock screw for perfect holding.
- With carriage handle.

Gencod : 3476060016102  9350 g

O64555

TRANSPLAC

Heavy duty board lifter



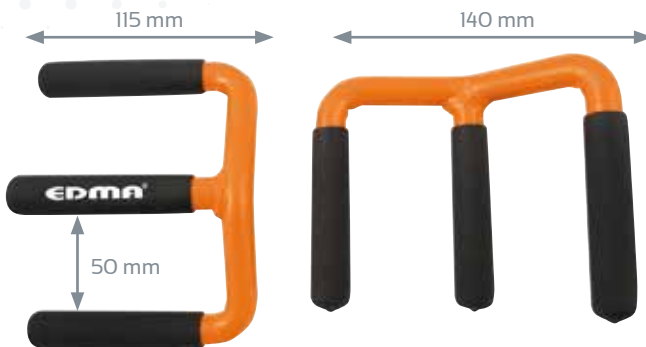
- + Allows boards and sheets to be carried by just one person.
- New wide base for better panel seating.

Gencod : 3476060006455  1240 g


O64055

DUOPLAC

2 board carrier handles



- + 15 mm steel handles for board transport by 2 persons.
- Carries up to 2 boards.
- Soft rubber grips.
- Innovative, rugged design.
- Can be attached to belt.

Gencod : 3476060006400  1260 g


O66055

FOOTPLAC

Board lever with steel stirrup



- + Allows board to be lifted for accurate positioning thanks to its rocker system.
- Wide base prevents board damage while improving panel seating.
- Also ideal for unhinging doors.
- New extra wide loop suitable for all safety footwear.

Gencod : 3476060006608  925 g